



Air Conditioning & Heating



1½ to 2½ Ton

PRODUCT SPECIFICATIONS

ACNF/AC SERIES

CEILING-MOUNT AIR HANDLERS



The Goodman® ACNF/AC Electric Heat Air Handlers are designed to be ceiling-mounted. Their quiet operation and high performance make the ACNF/AC series good choices for multi-family or lodging applications.

Standard Features

- Check flowrater for heat pump and cooling-only applications
- Direct-drive, resilient-mount, multi-speed motor
- Sequence-controlled and rust-resistant nickel chromium heating elements of 5, 6, 8 and 10 kW
- High-efficiency evaporator coil
- Quiet operation
- Available with and without heat
- ARI Certified
- ETL Certified

Cabinet Features

- Primary/secondary drain connection in a high-temperature plastic drain pan
- Galvanized-steel construction
- Factory-installed pull-type disconnect
- Easy service access

Accessories

- Heat Pump Shut-off Relay Kit: HPSK-01
- Ceiling Access Panels:
CAP-1/ 1L (louvered) fits ACNF18/AC18/24
CAP-2/ 2L (louvered) fits ACNF24/AC30
CAP-3/ 3L (louvered) fits ACNF30/AC36



PRODUCT SPECIFICATIONS

SPECIFICATIONS

	ACNF18001	ACNF18051	ACNF18061	ACNF18081	ACNF24001	ACNF24051	ACNF24061	ACNF24081	ACNF24101	ACNF30001	ACNF30051	ACNF30061	ACNF30081	ACNF30101
Specifications														
Blower														
Diameter	5.75	5.75	5.75	5.75	6.31	6.31	6.31	6.31	6.31	6.75	6.75	6.75	6.75	6.75
Width	6.75	6.75	6.75	6.75	8.25	8.25	8.25	8.25	8.25	8.25	8.25	8.25	8.25	8.25
Coil Drain Connection FPT	3/4"	3/4"	3/4"	3/4"	3/4"	3/4"	3/4"	3/4"	3/4"	3/4"	3/4"	3/4"	3/4"	3/4"
Service Valve														
Liquid	3/8"	3/8"	3/8"	3/8"	3/8"	3/8"	3/8"	3/8"	3/8"	3/8"	3/8"	3/8"	3/8"	3/8"
Suction	3/4"	3/4"	3/4"	3/4"	3/4"	3/4"	3/4"	3/4"	3/4"	3/4"	3/4"	3/4"	3/4"	3/4"
Electrical Data														
Min Circuit Ampacity @ 240V	0.9	27	33.5	40.5	1.68	27.8	34.3	41.3	54.9	1.68	27.8	34.3	41.3	54.9
Min Circuit Ampacity @ 208V	0.9	24.5	30.5	36.8	1.68	25.3	31.3	37.6	49.8	1.68	25.3	31.3	37.6	49.8
Max. Overcurrent Device @ 240V	15	30	40	50	15	30	40	50	60	15	30	40	50	60
Max. Overcurrent Device @ 208V	15	30	40	40	15	30	40	40	50	15	30	40	40	50
Minimum VAC	197	197	197	197	197	197	197	197	197	197	197	197	197	197
Maximum VAC	253	253	253	253	253	253	253	253	253	253	253	253	253	253
Blower Motor														
FLA	0.72	0.72	0.72	0.72	1.34	1.34	1.34	1.34	1.34	1.34	1.34	1.34	1.34	1.34
HP	1/8	1/8	1/8	1/8	1/4	1/4	1/4	1/4	1/4	1/4	1/4	1/4	1/4	1/4
Ship Weight (lbs)	59	59	59	59	69	69	69	69	69	79	79	79	79	79

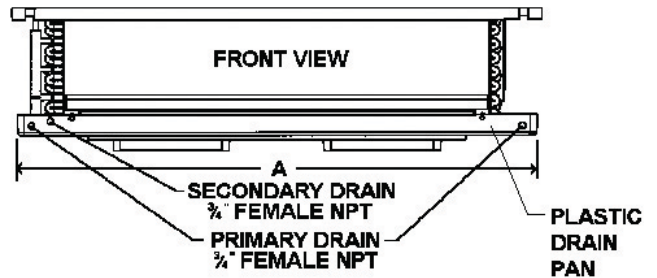
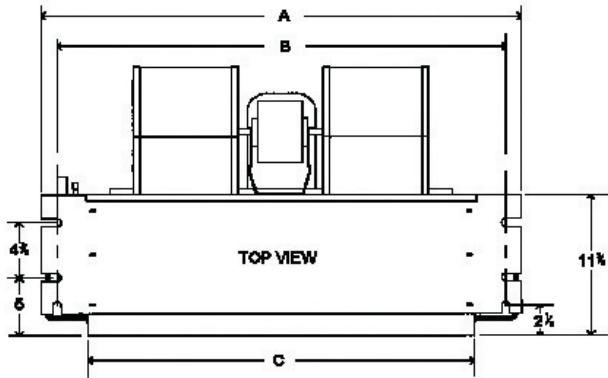
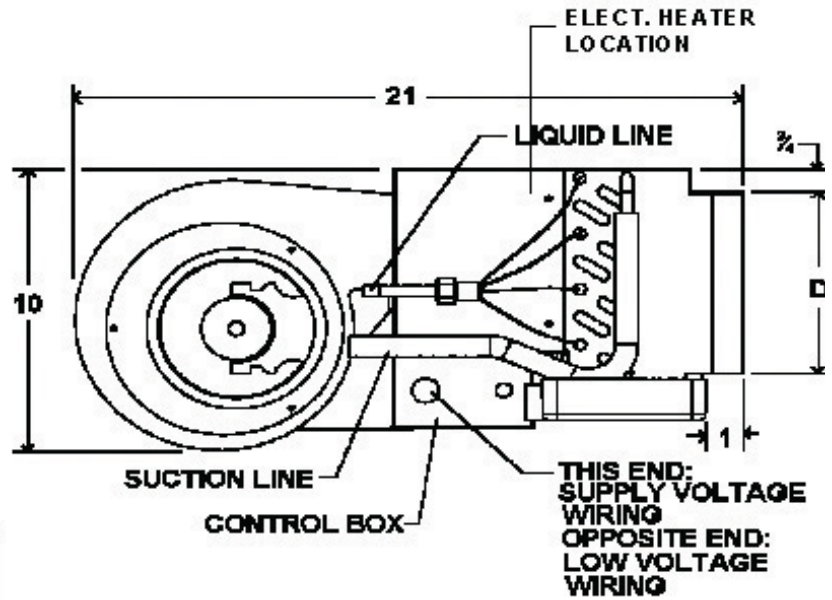
	AC18-05D	AC18-06D	AC18-08D	AC30-05D	AC30-08D	AC30-10D	AC36-05D	AC36-08D	AC36-10D
Specifications									
Blower									
Diameter	5.75	5.75	5.75	6.31	6.31	6.31	6.75	6.75	6.75
Width	6.75	6.75	6.75	8.25	8.25	8.25	9.25	9.25	9.25
Coil Drain Connection FPT	3/4"	3/4"	3/4"	3/4"	3/4"	3/4"	3/4"	3/4"	3/4"
Service Valve									
Liquid	3/8"	3/8"	3/8"	3/8"	3/8"	3/8"	3/8"	3/8"	3/8"
Suction	3/4"	3/4"	3/4"	3/4"	3/4"	3/4"	3/4"	3/4"	3/4"
Electrical Data									
Min Circuit Ampacity @ 230V	29	36	43	29	43	58	29	44	59
Min Circuit Ampacity @ 208V	27	33	39	27	39	53	27	39	54
Max. Overcurrent Device @ 230V	30	40	45	30	45	60	30	45	60
Max. Overcurrent Device @ 208V	30	40	40	30	40	60	30	40	60
Minimum VAC	197	197	197	197	197	197	197	197	197
Maximum VAC	253	253	253	253	253	253	253	253	253
Blower Motor									
FLA	0.72	0.72	0.72	1.34	1.34	1.34	1.34	1.34	1.34
HP	1/8	1/8	1/8	1/4	1/4	1/4	1/4	1/4	1/4
Ship Weight (lbs)	59	59	59	69	69	69	79	79	79

Note:

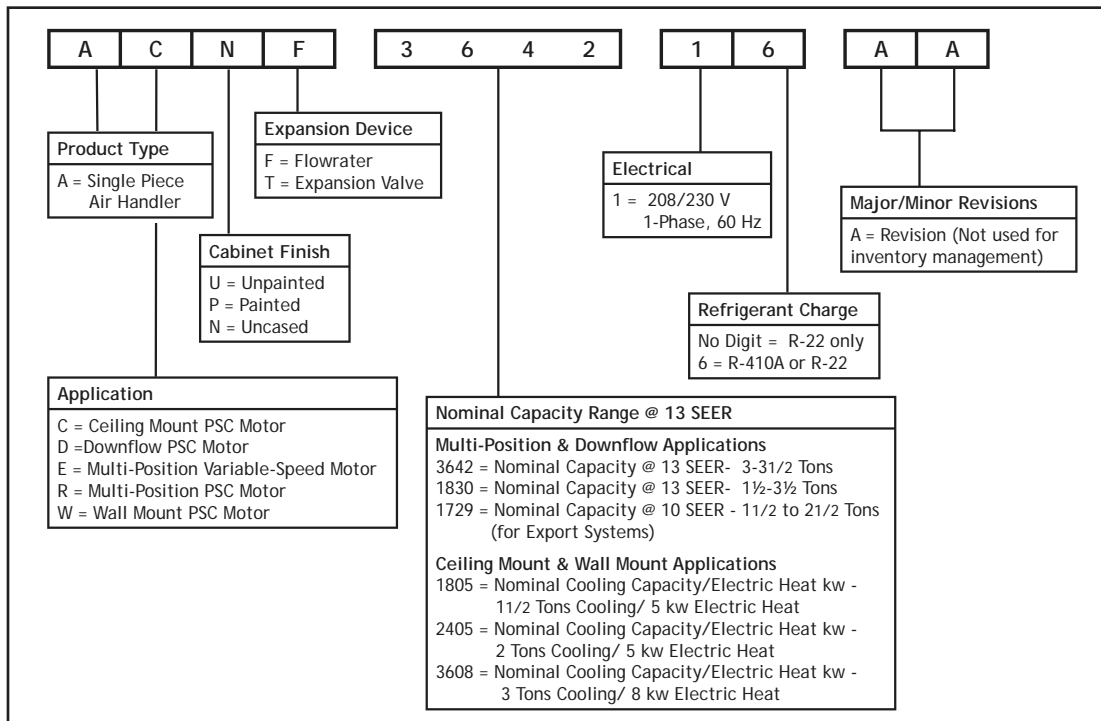
When the room thermostat calls for second stage heat, the first stage (heat pump) operation must be locked out. When matching the "AC" unit that has electric heat with a heat pump, order "HEAT PUMP SHUT OFF KIT HPSK-01." The ACXX-00 units do not require this kit.

DIMENSIONS

Model	A	B	C	D
ACNF18	37¼"	34 ¹¹ / ₁₆ "	30"	6½"
ACNF24	43¼"	40 ¹¹ / ₁₆ "	36"	6½"
ACNF30	49¼"	46 ¹¹ / ₁₆ "	42"	6½"
AC18	37¼"	34 ¹¹ / ₁₆ "	30"	6½"
AC30	43¼"	40 ¹¹ / ₁₆ "	36"	6½"
AC36	49¼"	46 ¹¹ / ₁₆ "	42"	6½"



NOMENCLATURE



PRODUCT SPECIFICATIONS

BLOWER PERFORMANCE

Model	Speed	CFM delivered against External Static Pressure				
		0.1"	0.2"	0.3"	0.4"	0.5"
ACNF18001	High	780	710	625	520	440
	Low	675	585	510	460	400
ACNF18051	High	780	710	625	520	440
	Low	675	585	510	460	400
ACNF18061	High	780	710	625	520	440
	Low	675	585	510	460	400
ACNF18081	High	780	710	625	520	440
	Low	675	585	510	460	400
ACNF24001	High	935	880	810	735	675
	Low	720	680	630	565	490
ACNF24051	High	935	880	810	735	675
	Low	720	680	630	565	490
ACNF24061	High	935	880	810	735	675
	Low	720	680	630	565	490
ACNF24081	High	935	880	810	735	675
	Low	720	680	630	565	490
ACNF24101	High	935	880	810	735	675
	Low	720	680	630	565	490
ACNF30001	High	1,075	1,015	945	865	770
	Low	830	785	720	665	605
ACNF30051	High	1,075	1,015	945	865	770
	Low	830	785	720	665	605
ACNF30061	High	1,075	1,015	945	865	770
	Low	830	785	720	665	605
ACNF30081	High	1,075	1,015	945	865	770
	Low	830	785	720	665	605
ACNF30101	High	1,075	1,015	945	865	770
	Low	830	785	720	665	605

Model	Speed	CFM Delivered Against External Static Pressure				
		0.1"	0.2"	0.3"	0.4"	0.5"
AC18-05D AC18-06D AC18-08D	High	780	710	625	520	440
	Low	675	585	510	460	400
AC30-05D AC30-08D AC30-10D	High	1,075	1,015	945	865	770
	Low	830	785	720	665	605
AC36-05D AC36-08D AC36-10D	High	1,200	1,150	1,090	1,025	945
	Low	920	880	830	770	710

Note:
Assumes dry coil with filter in place;
208-volt operation x .96

HEATING CAPACITY/kW CORRECTION FACTOR

Supply Voltage	240	230	220	210	208
Correction Factor	1.08	1.00	.92	.84	.82

(Multiply the 230-volt capacity by factors)



Goodman Manufacturing Company, L.P., reserves the right to discontinue, or change at any time, specifications or designs without notice or without incurring obligations.

Copyright © 2006 • Goodman Manufacturing Company, L.P. • Houston, Texas
Goodman® brand products are made proudly in the USA.
Printed in the USA.